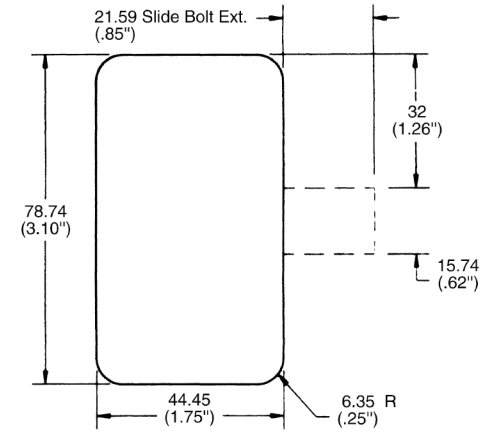
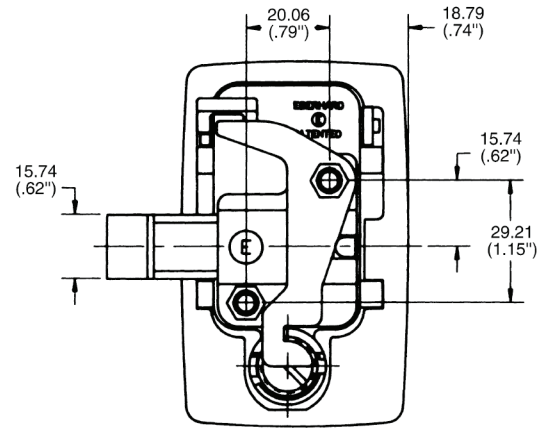
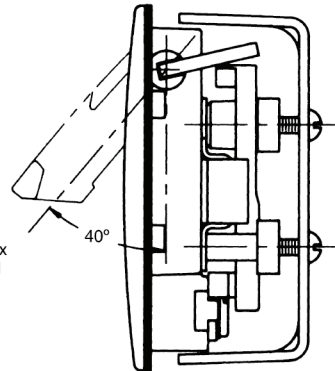
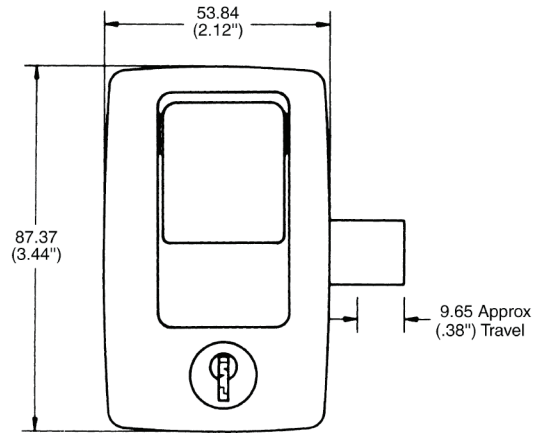
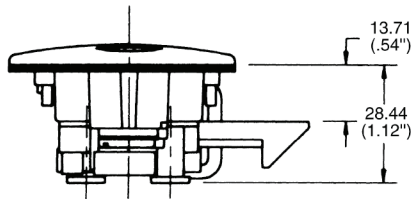


APPROVAL - CUSTOMER NAME & SIGNATURE

DATE



Suggested Cutout



ALLEGIS

1-866-378-7550

MATERIAL:

DRAWING NO.:

ECL 730-P8 BK

FINISH:

REV.:

1:1

DATE:

6/13/2019